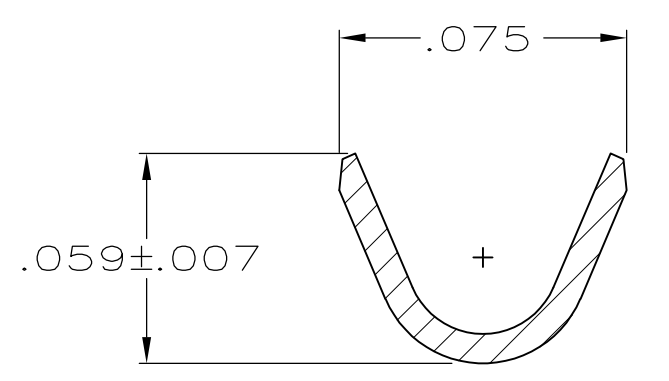
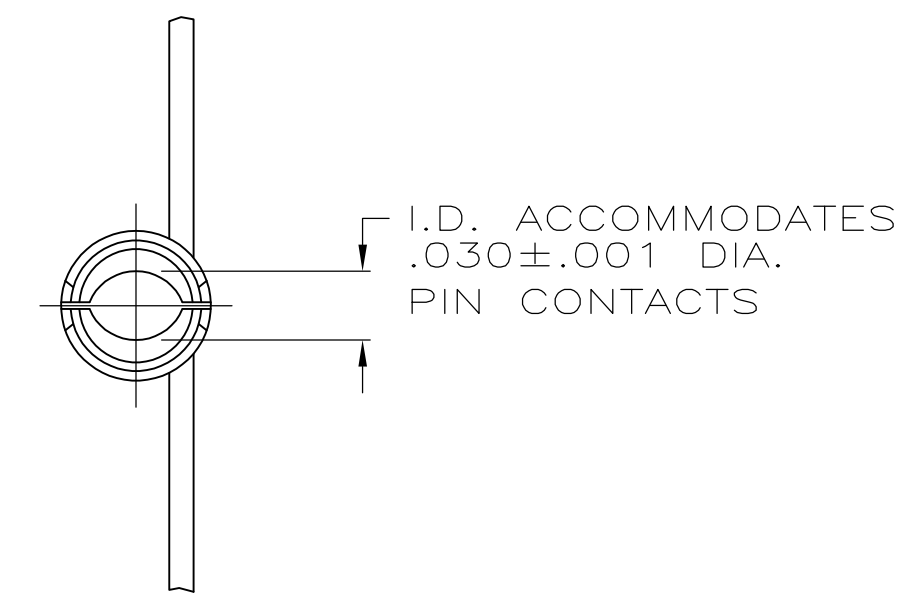
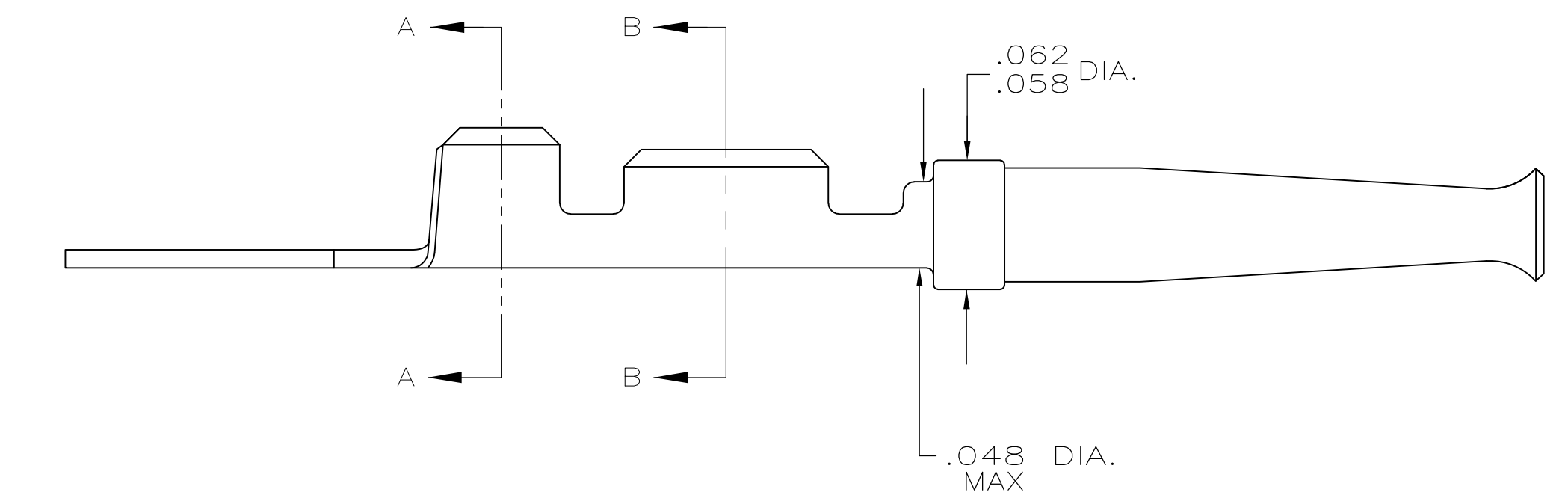
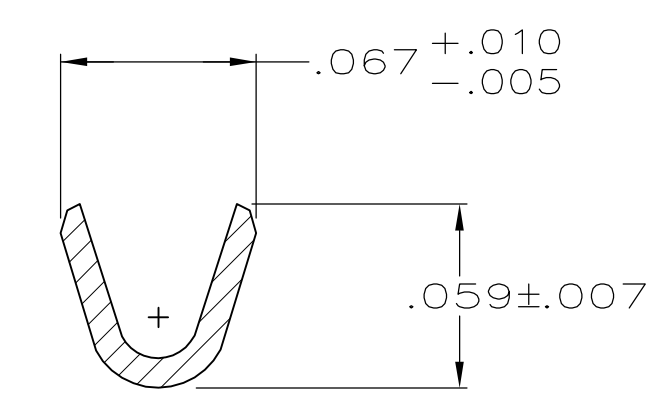


- 1. FOR MINI-APPLICATOR.
- 2. WIRE RANGE OF 22-28 AWG, INSULATION RANGE OF .030-.040.
- 3. WILL ACCEPT (2) 28 AWG WIRES.
- 4. .000050 MIN NICKEL UNDERPLATE OVER ENTIRE CONTACT. .000030 MIN GOLD IN LOCALIZED GOLD PLATE AREA.
OR
.000050 MIN NICKEL UNDERPLATE ON ENTIRE CONTACT, GOLD FLASH OVER PALLADIUM-NICKEL, .000030 MIN TOTAL ON LOCALIZED GOLD PLATE AREA, REMAINDER OF CONTACT PLATED WITH GOLD FLASH.



SECTION A-A
SCALE 20:1



SECTION B-B
SCALE 20:1

OBSOLETE	—	1-66493-3
OBSOLETE	—	1-66493-2
OBSOLETE	—	1-66493-1
OBSOLETE	—	1-66493-0
OBSOLETE	—	66493-9
OBSOLETE	—	66493-8
OBSOLETE	—	66493-4
OBSOLETE	4	66493-3
OBSOLETE	—	66493-2
	FINISH	PART NUMBER

THIS DRAWING IS A CONTROLLED DOCUMENT.		DRN: S. MCMASTER 01MAR04	Tyco Electronics Corporation Harrisburg, PA 17105-3608	
DIMENSIONS: INCHES		CHK: S. BOLASH 01MAR04	NAME: Tyco Electronics	
TOLERANCES UNLESS OTHERWISE SPECIFIED:		APRD: M. WALMSLEY 01MAR04	PRODUCT SPEC: CONTACT, SOCKET, SIZE 22, OPEN BARREL, 22-28 AWG, AMPLIMITE	
0 PLC ± -	1 PLC ± -	PRODUCT SPEC: 108-1268	SIZE: A1	CAGE CODE: 00779
2 PLC ± -	3 PLC ± .005	APPLICATION SPEC: 114-10001	DRAWING NO: 66493	RESTRICTED TO: -
4 PLC ± -	ANGLES ± 0' 30"	WEIGHT: -	CUSTOMER DRAWING	SCALE: 15:1
MATERIAL: -		FINISH: 4		SHEET 1 OF 1